

# 8. Geometry File Lab

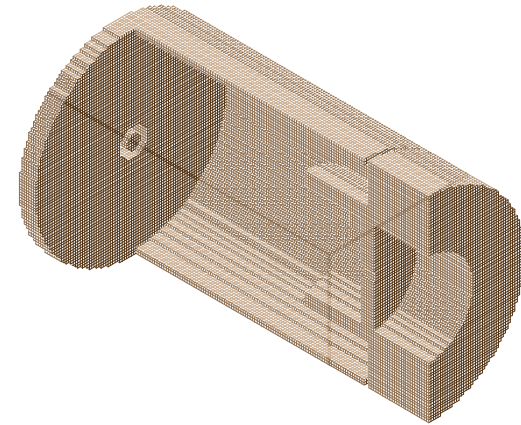
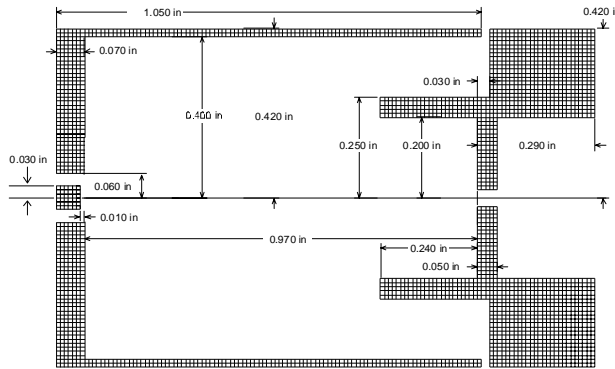
Write several geometry files:

- A 2D cylindrically symmetric design
- A 3D asymmetric design
- Additional components for the speedy



# Electron Gun

2-D Model  
with  
cylindrical  
source.



3-D Model  
with  
rectangular  
source.

